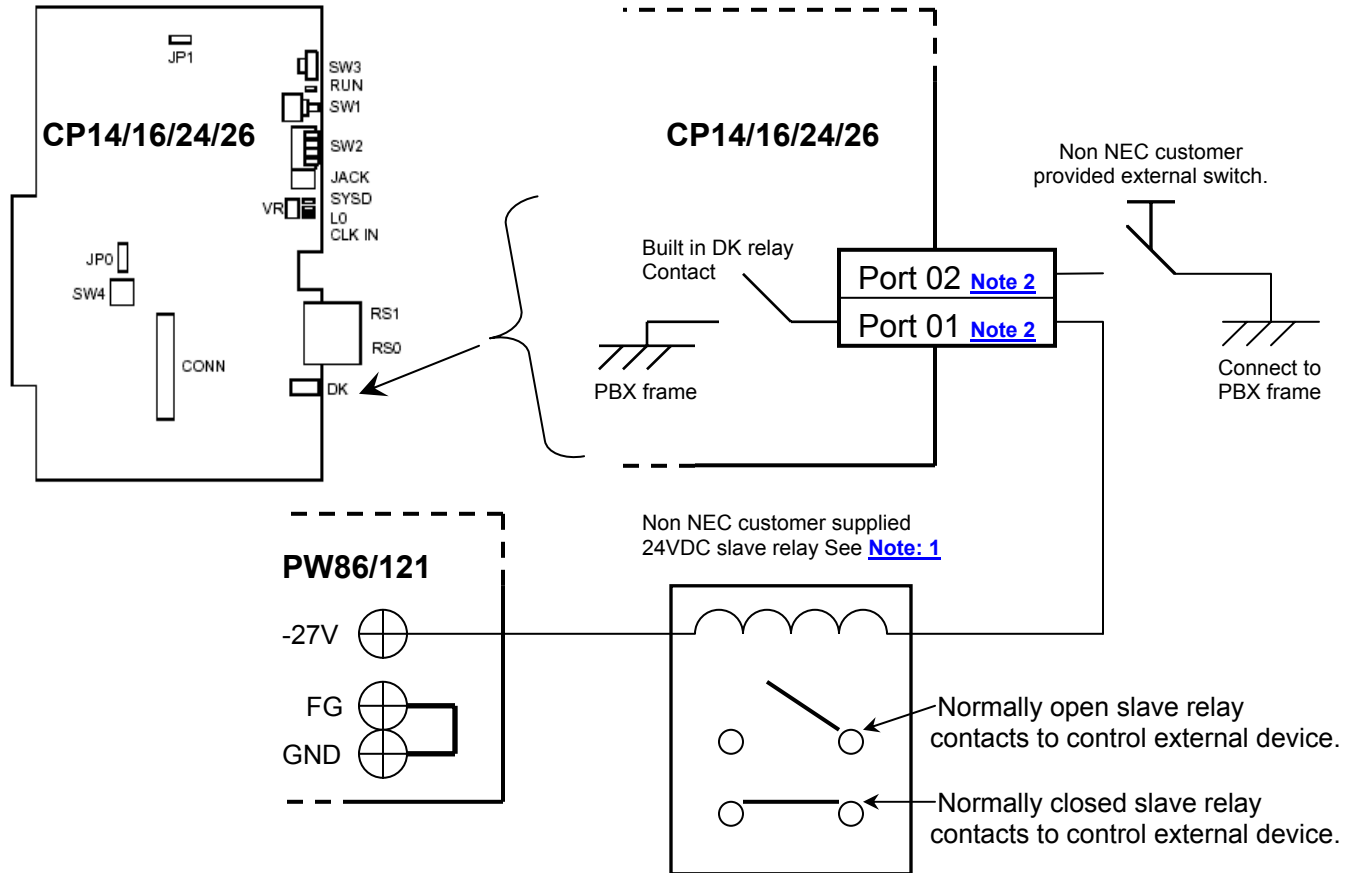


## DK Basics

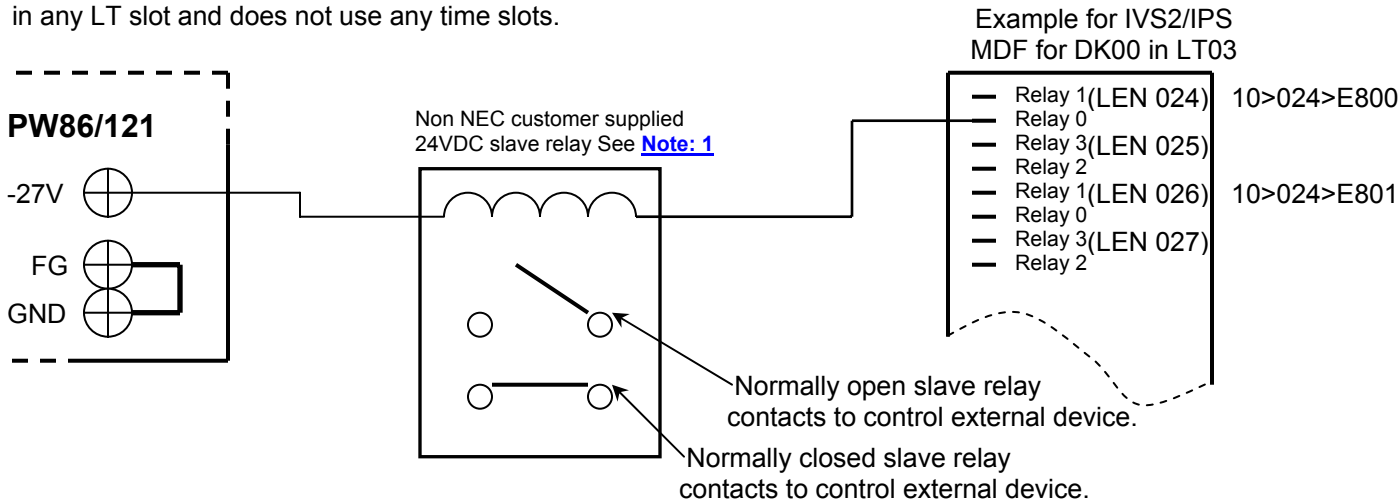
### Built in DK on MP

The built in DK on the CP14/CP16/CP24/CP26 has one port for external relay control (Port 01) and one port for external key scan (Port 02). That is to say that the bottom port provides a closure to ground (frame) of the PBX upon certain programmable conditions while the top port scans for a PBX ground to initiate certain PBX features. Port 01 relay contact capacity is no more than 125 mA.



### DK00 Card

The DK00 card provides 8 ports for either external relay control or for External Key scan (assigned in groups of 4 E.g. E800 = 4 relays 0~3). It can be installed in any LT slot and does not use any time slots.



## **DK External Relay Control Features**

### **External Hold Machine Start.**

Commonly used if tape machine or other device needs to operate only when a caller is placed on hold.

### **External Announcement Machine Start.**

Used to start an external announcement device for wake up calls or timed reminder calls.

### **Speaker Paging Machine Start.**

For operating a relay when an external page route is accessed. Mainly used to switch the amplifier output for different speaker zones.

### **Indication for Trunk All Busy.**

Relay closes when all trunks in a designated route are busy.

### **TAS Indication.**

Relay closure to drive an external audio or visual indicator when a trunk is terminated to TAS.

### **Indication ACD/UCD Call Waiting.**

For switching an external device whenever a designated number of calls queue to a pre-determined ACD/UCD group.

Relay Control Function Key. Relay operates when feature key is pressed on the Dterm set.

**External Alarm driver function for SMDR buffer Overflow.** Relay closure whenever the SMDR buffer is full.

**CCIS Link Alarm Display.** CCH failure forces a relay closure.

**CCIS Day/Night Status Display.** Relay closes when Day/Night mode change is initiated by the main office.

## **DK External Key Features**

### **Change Day/Night Trunk Restriction Class.**

An external switch changes restriction classes from Day to Night.

### **Outgoing Call Restriction in Night mode.**

Outgoing call restriction on pre-determined trunks when external switch is closed.

**Day/Night mode change.** Closure of external switch changes system from day to night mode.

### **Station to Station Restriction.**

Station to station calls that are restricted via CM 63 are allowed upon external switch closure.

**Note 1:** Slave relay must have a coil operation load of no more than 125 mA. Current ratings of load contacts on the slave relay will vary from relay to relay and have no bearing on the PBX.

**Note 2:** The crimps to be attached to the external wiring for the DK plug are supplied with each new MP. They are packaged in a small blue plastic bag inside the individual MP box.